

For reference only. See data sheet for the detailed specifications.

## Technical Specification



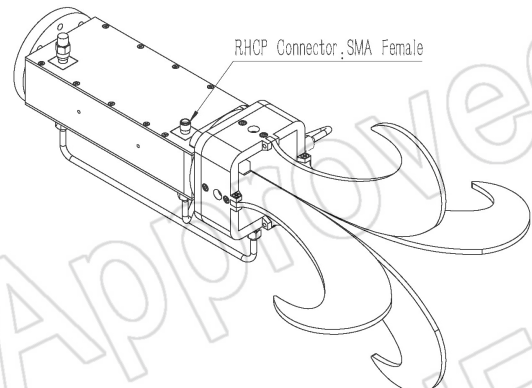
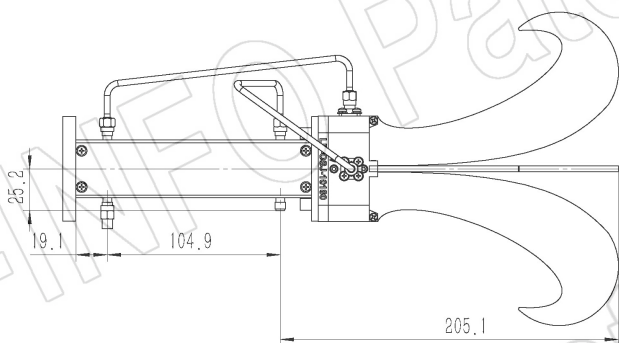
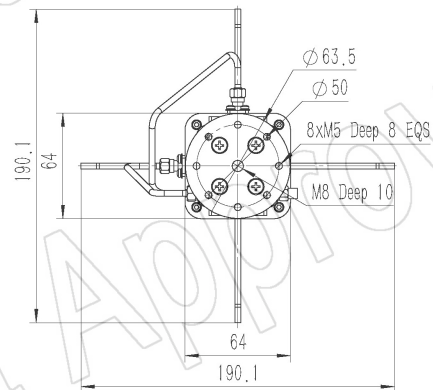
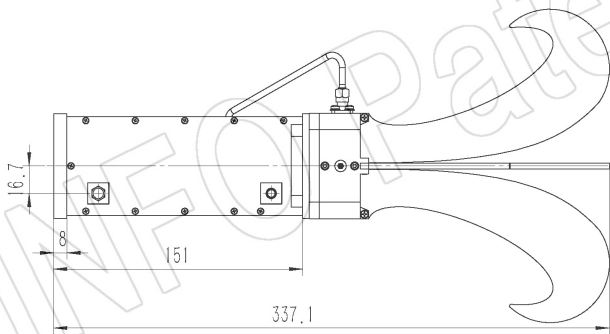
Frequency Range(GHz)	1.0 – 18.0
Gain(dBic)	10 Typ.
Polarization	RHCP
Axial Ratio(dB)	1.5 Typ.
	3.0 Max.
3dB Beamwidth(deg)	E Plane: 133 – 23
	H Plane: 137 – 23
VSWR	1.80:1 Max.
Connector	SMA-Female
Power Handling(W CW)	20 Max.
Material	Al
Finish	Chemical Conversion Coating and Nickel Plated, Anodizing
Size(mm)	190.1 x 190.1 x 337.1
Net Weight(Kg)	1.10 Around

PATENT ID (China)

ZL201921371926.6, ZL201930458720.6

## Outline Drawing (Size: mm)

SMA-Female Output (P/N: LB-OSJ-10180-P02)



AINFO Inc.

Page 1 of 10

China(Beijing):  
China(Chengdu):  
USA :

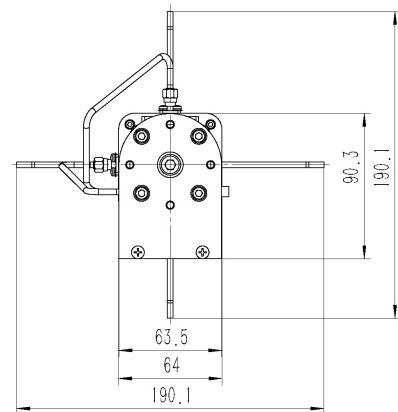
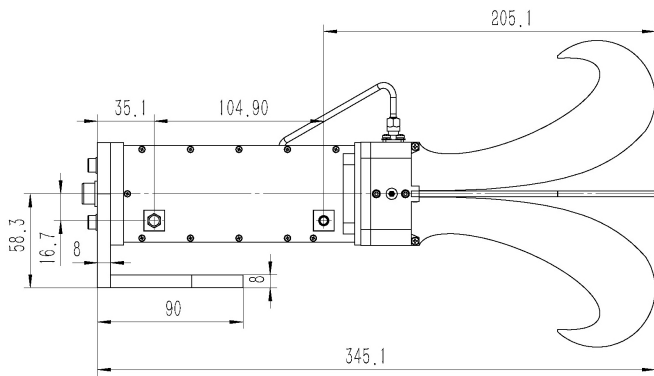
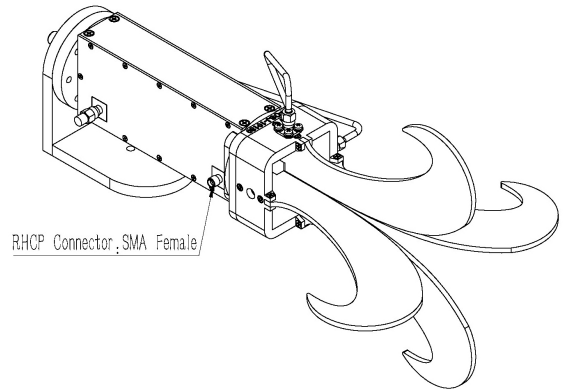
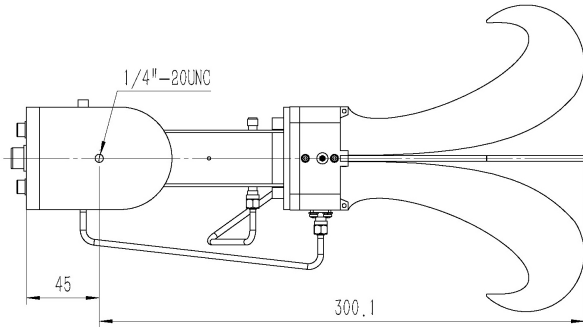
Tel: (+86) 10-6266-7326,  
Tel: (+86) 28-8519-2786,  
Tel: (+1) 949-639-9688,

(+86) 10-6266-7327  
(+86) 28-8519-3044  
(+1) 949-639-9608

Fax: (+86) 10-6266-7379  
Fax: (+86) 28-8519-3068  
Fax: (+1) 949-639-9670

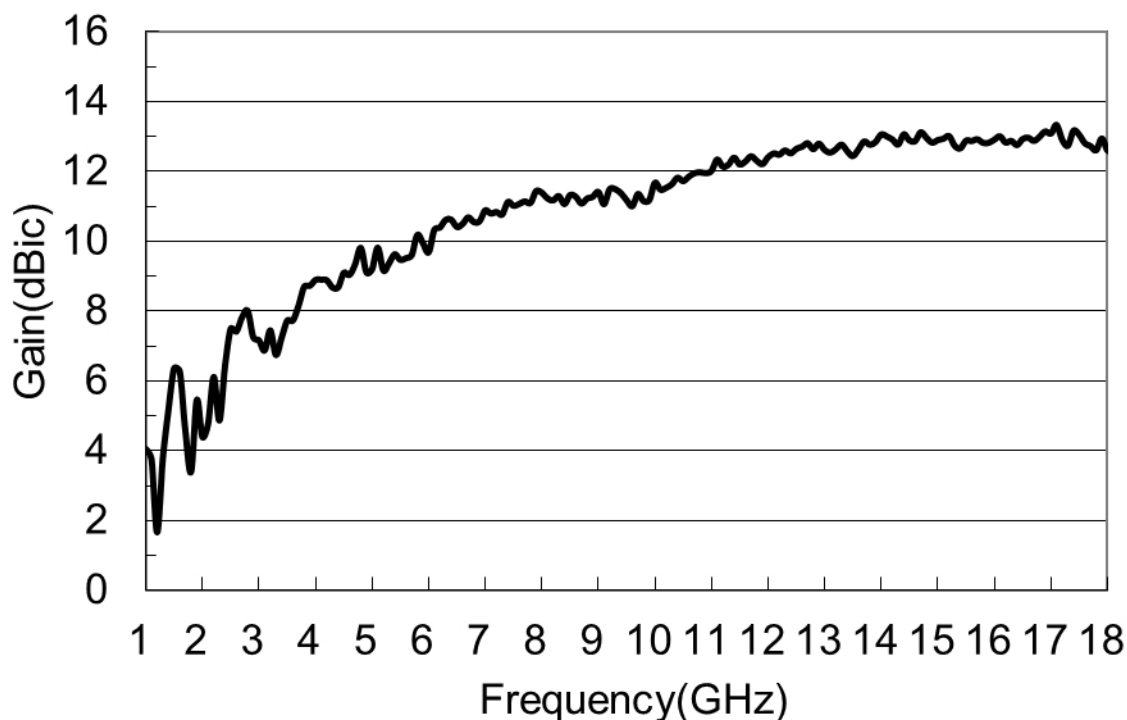
Website: [www.ainfoinc.com](http://www.ainfoinc.com)  
Email: [sales@ainfoinc.com](mailto:sales@ainfoinc.com)

SMA-Female Output with L Type Mounting Bracket (Option, P/N: LB-10180-L)

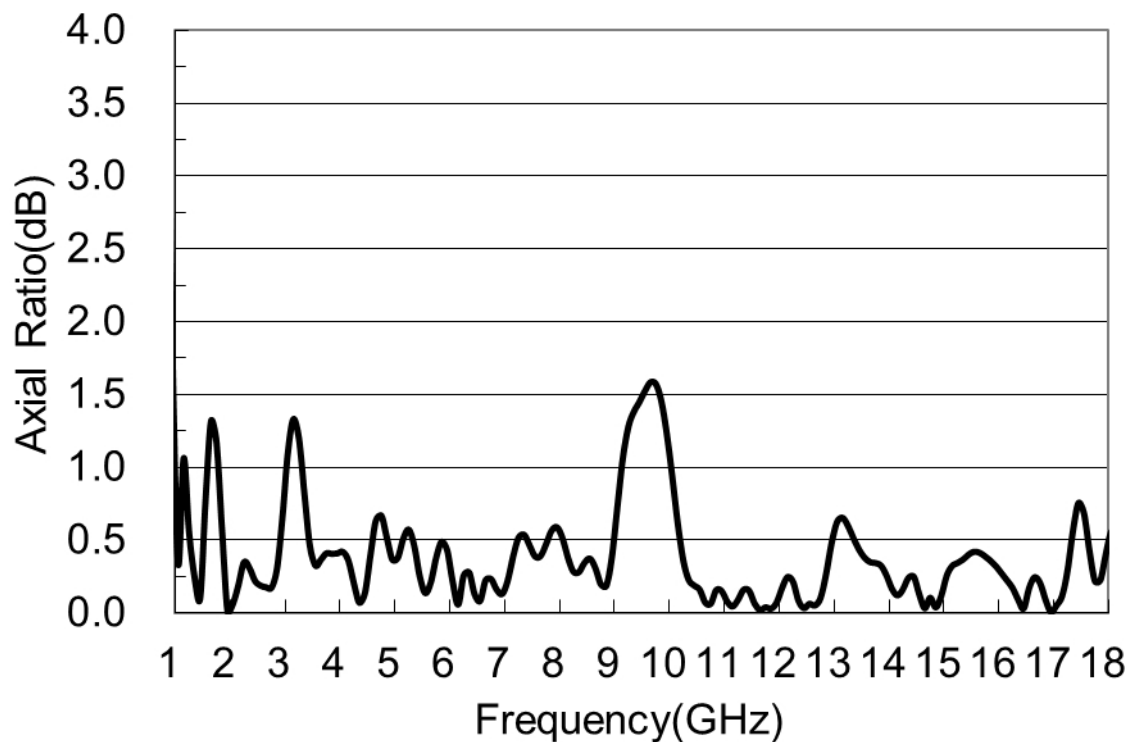


## Test Results

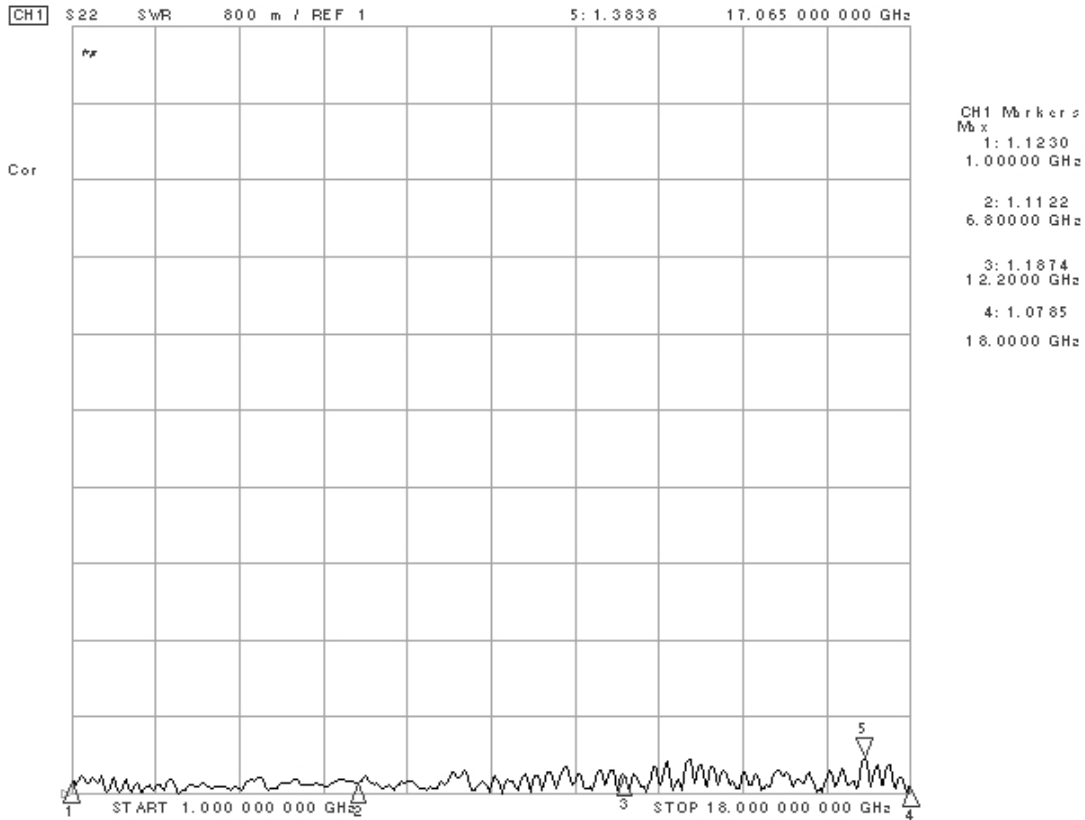
### 1. Gain



### 2. Axial Ratio



### 3. VSWR



### 4. Pattern

